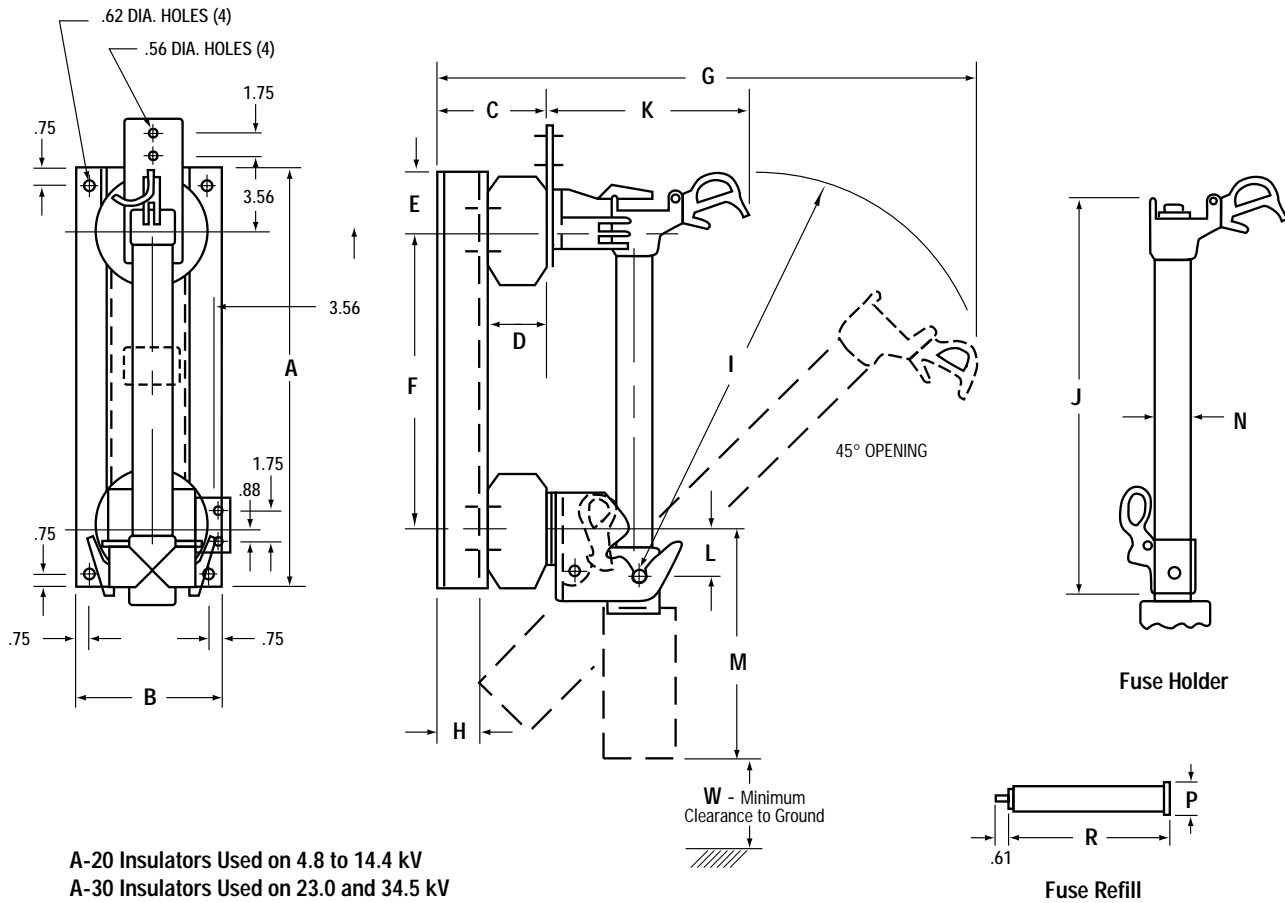


RBA Fuse Mountings - RBA 200,400 Disconnect Mountng - 4.8 to 34.5 kV

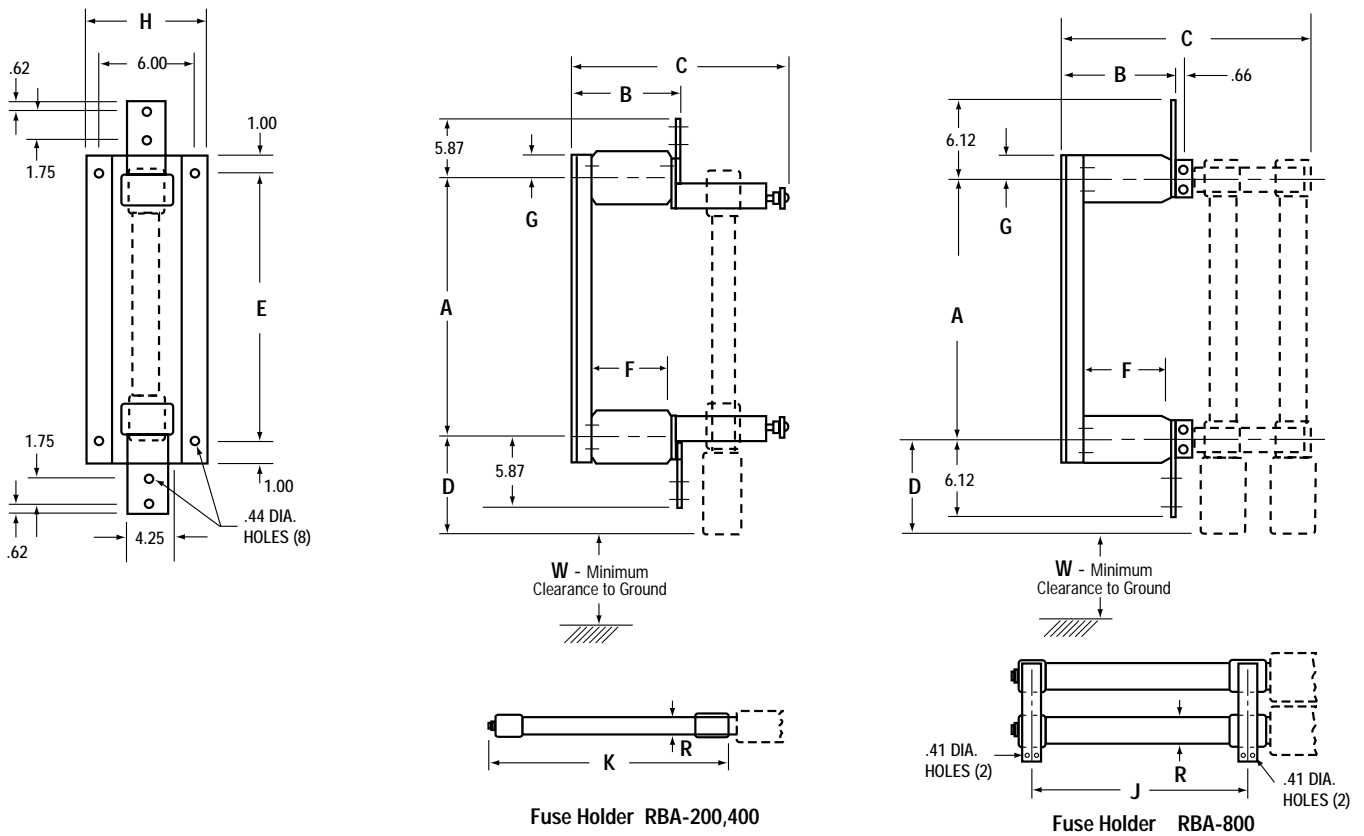


A-20 Insulators Used on 4.8 to 14.4 kV  
A-30 Insulators Used on 23.0 and 34.5 kV

Catalog Number	kV BIL	Dimensions in Inches																	Recommended Phase Spacing ①	
		A	B	C	D	E	F	G	H	I	J	K	L	M	N	P	R	W		
		With Con- denser	With Dis- charge																	
5RBA2	60	22.62	7.00	7.50	3.50	5.87	14.25	27.19	3.34	18.69	18.81	9.25	1.56	10.12	1.64	1.50	7.50	3.00	7.50	11.50
8RBA2	75	22.62	7.00	10.00	6.00	5.87	14.25	29.69	6.34	18.69	18.81	9.25	1.56	10.12	1.64	1.50	7.50	4.00	8.50	13.00
14RBA2	95	22.62	7.00	10.00	6.00	2.62	17.62	32.12	6.34	22.06	22.19	9.25	1.56	10.12	1.64	1.50	8.75	6.00	11.50	14.50
15RBA2	110	22.62	7.00	11.50	7.50	2.62	17.62	33.62	7.84	22.06	22.19	9.25	1.56	10.12	1.64	1.50	8.75	6.00	11.50	16.00
25RBA2	150	33.88	8.00	12.00	10.50	2.50	22.25	37.69	11.71	26.69	26.81	9.25	1.56	10.12	1.64	1.50	10.50	8.50	15.00	20.00
38RBA2	150	33.88	8.00	12.00	10.50	2.50	29.25	42.62	11.71	33.69	33.81	9.25	1.56	10.12	1.64	1.50	13.12	12.00	19.50	25.00
5RBA4	60	22.25	7.00	7.50	3.50	5.94	13.81	27.40	3.03	19.69	20.00	9.25	2.63	11.75	2.17	2.20	7.62	3.00	7.50	11.75
8RBA4	75	22.25	7.00	10.00	6.00	5.94	13.81	29.90	5.53	19.69	20.00	9.25	2.63	11.75	2.17	2.20	7.62	4.00	8.50	13.25
14RBA4	95	22.25	7.00	10.00	6.00	2.56	17.19	32.81	5.53	23.69	23.38	9.25	2.63	11.75	2.17	2.20	8.88	6.00	11.50	14.75
15RBA4	110	22.25	7.00	11.50	7.50	2.56	17.19	34.31	7.03	23.69	23.38	9.25	2.63	11.75	2.17	2.20	8.88	6.00	11.50	16.25
25RBA4	150	33.81	8.00	13.50	10.50	2.50	21.81	39.56	9.03	27.69	28.00	9.25	2.63	11.75	2.17	2.20	11.38	8.50	15.00	20.25
38RBA4	150	33.81	8.00	13.50	10.50	2.50	28.81	44.50	9.03	34.69	35.00	9.25	2.63	11.75	2.17	2.20	13.62	12.00	19.50	25.25

① Phase-to-phase center spacing, without barriers.

**RBA-200 RBA-400 and RBA 800 (Piggy Back Type) - Non-Disconnect Mounting 4.8 to 34.5 kV**



**Fuse Holder RBA-200,400**

**Fuse Holder RBA-800**

Catalog Number	kV BIL	Dimensions in Inches													With Con- denser	With Dis- charge	Recom- mended Phase Spacing ②
		A	B	C	D	E	F	G	H	J	K ②	R	W				
5RBA2	60	15.62	4.62	11.43	8.62	15.62	7.50	1.32	7.50		18.25	1.64	3.00	7.50	11.16		
8RBA2	75	15.62	7.12	13.93	8.62	15.62	7.50	1.32	7.50		18.25	1.64	4.00	8.50	12.56		
14RBA2	95	19.00	7.12	13.93	8.62	19.00	7.50	1.32	7.50		21.63	1.64	6.00	11.50	13.06		
15RBA2	110	19.00	8.62	15.43	8.62	19.00	7.50	1.32	7.50		21.63	1.64	6.00	11.50	15.56		
25RBA2	150	26.43	12.12	18.93	7.25	29.43	8.50	2.50	8.50		26.25	1.64	8.50	15.00	19.56		
38RBA2	150	33.43	12.12	18.93	7.25	36.43	8.50	2.50	8.50		33.25	1.64	12.00	19.50	24.56		
5RBA4	60	16.56	4.62	12.31	8.75	16.56	7.50	1.32	7.50		19.52	2.17	3.00	7.50	11.16		
8RBA4	75	16.56	7.12	14.81	8.75	16.56	7.50	1.32	7.50		19.52	2.17	4.00	8.50	12.56		
14RBA4	95	19.94	7.12	14.81	8.75	19.94	7.50	1.32	7.50		22.90	2.17	6.00	11.50	13.06		
15RBA4	110	19.94	8.62	16.31	8.75	19.94	7.50	2.50	7.50		22.90	2.17	6.00	11.50	15.56		
25RBA4	150	27.37	12.12	19.81	7.37	30.37	8.50	1.32	8.50		22.90	2.17	8.50	15.00	19.56		
38RBA4	150	34.37	12.12	19.81	7.37	37.37	8.50	2.50	8.50		34.52	2.17	12.00	19.50	24.56		
5RBA8	60	16.31	4.50	12.85	9.31	17.56	3.50	1.62	3.50	16.31		2.17	3.00	7.50	11.00		
8RBA8	75	16.31	7.00	15.35	9.31	17.56	6.00	1.62	6.00	16.31		2.17	4.00	8.50	12.50		
14RBA8	95	19.81	7.00	15.35	9.31	21.06	6.00	1.62	6.00	19.81		2.17	6.00	11.50	14.00		
15RBA8	110	19.81	8.50	16.85	9.31	21.06	7.50	1.62	7.50	19.81		2.17	6.00	11.50	15.50		
25RBA8	150	24.50	11.50	19.85	9.31	27.50	10.50	2.50	10.50	24.50		2.17	6.00	15.00	19.50		
38RBA8	150	31.50	11.50	19.85	9.31	34.50	10.50	2.50	10.50	31.50		2.17	12.00	19.50	24.50		

① Phase-to-phase center spacing, without barriers.  
② Approximate dimensions.