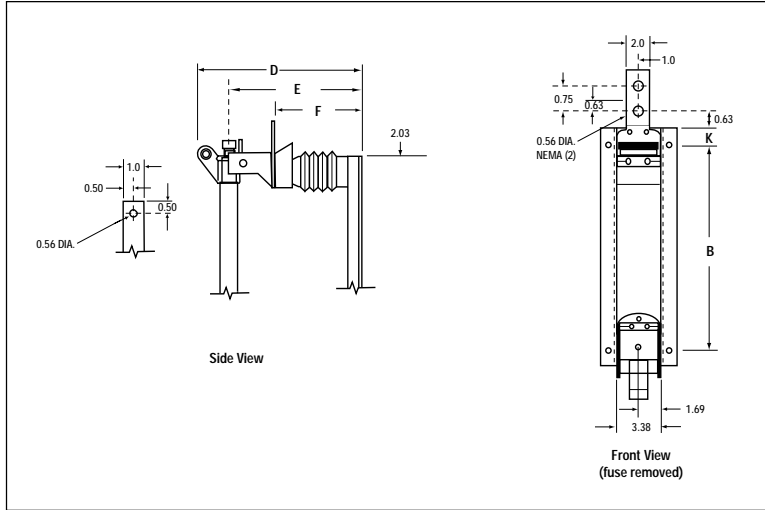


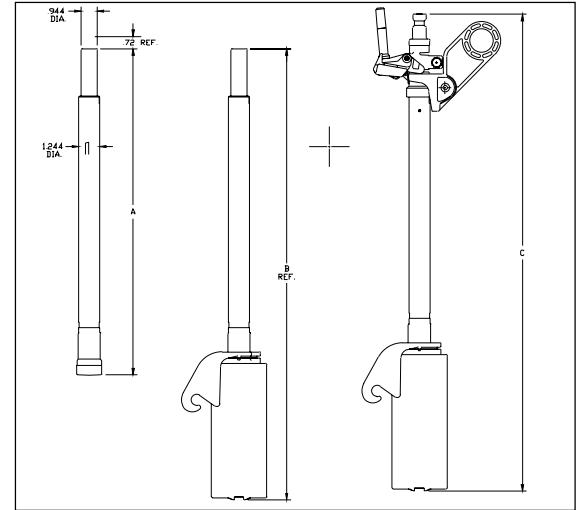
Non-Loadbreak Mounting



kV Max.	Catalog Number*	kV BIL	Fuse Mounting (Dimensions in Inches)				
			B	D	E	F	K
17	DBU17-GNM	95	17.75	17.63	12.63	9.50	3.0
27	DBU27-GNM	95	22.25	19.19	14.44	11.06	3.0
38	DBU38-GNM	150	28.25	22.0	17.25	13.63	3.0

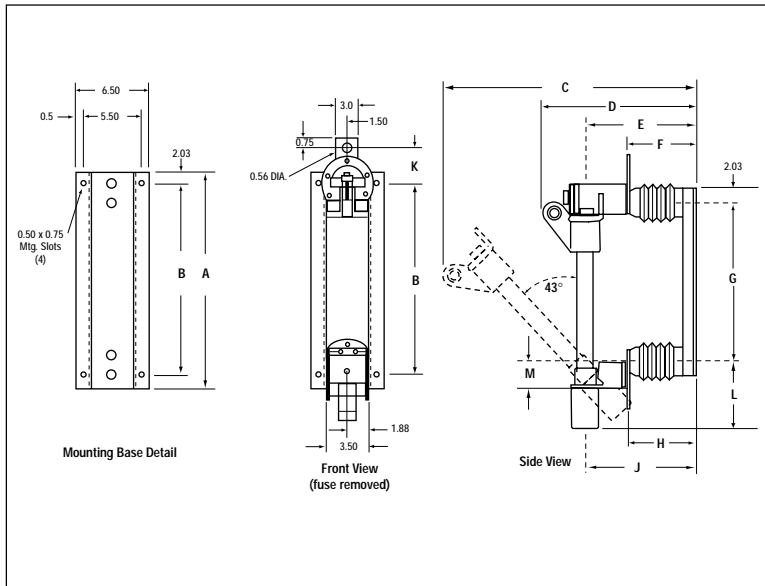
* Bus for cable termination on right side of mounting.

Indoor DBU Fuse Fittings



kV Max.	Fuse Unit Fittings		
	A	B	C
17	19.08	27.19	28.82
27	22.58	30.69	32.32
38	28.76	36.87	38.50

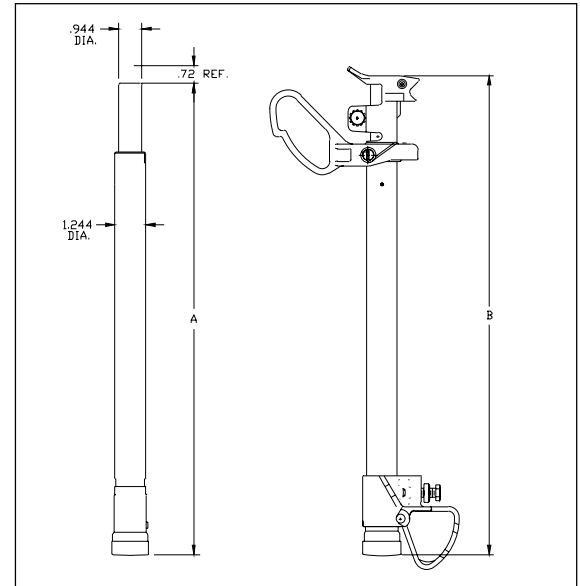
Loadbreak Mounting



kV Max.	Catalog Number	kV BIL	Fuse Mounting (Dimensions in Inches)											
			A	B	C	D	E	F	G	H	J	K	L	M
17	DBU17-GDML**	95	22.50	18.44	30.50	19.25	14.25	9.25	18.44	9.44	11.50	3.0	9.50	3.75
17	DBU17-GDMR*	95	22.50	18.44	30.50	19.25	14.25	9.25	18.44	9.44	11.50	3.0	9.50	3.75
27	DBU17-GDML**	125	26.75	22.69	34.63	21.38	16.75	11.56	22.69	11.75	13.50	3.0	9.50	3.75
27	DBU17-GDMR*	125	26.75	22.69	34.63	21.38	16.75	11.56	22.69	11.75	13.50	3.0	9.50	3.75
38

* Bus for cable termination on right side of mounting.
 * Bus for cable termination on left side of mounting.

Outdoor DBU Fuse Fittings



kV Max.	Fuse Unit Fittings	
	A	B
17	19.08	19.41
27	22.58	22.91
38	28.76	29.09