

BA200
Figure 1

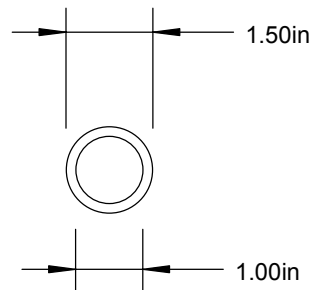
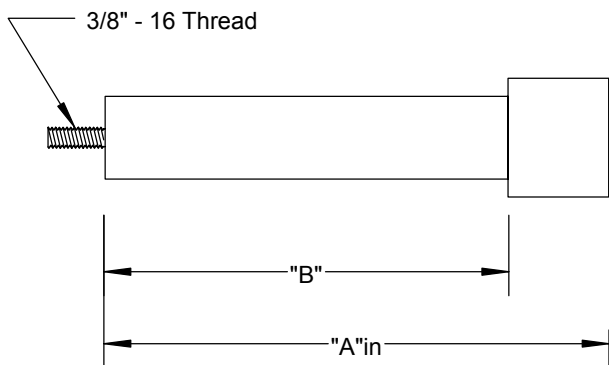
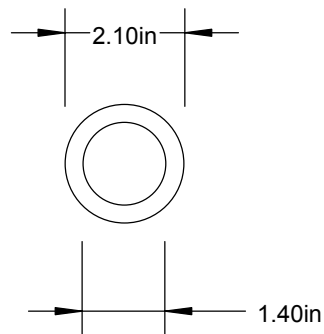


FIGURE	KV RATING	"A" Inches	"B" Inches
1	8.25	5.5	4.38
	15.5	6.75	6.63
	25.8	8.38	7.25
	38	10.88	9.75
2	8.25	7.25	5.44
	15.5	8.5	6.75
	25.8	x	x
	38	12.69	10.75



BA400
Figure 2



NORBERG ~ IES
www.fusesandcontrol.com

4237 South 74th East Avenue, Tulsa, OK. 74145
Tel # (918)665-6888 Fax # (918)663-8615

TITLE
BA200 / BA400 FUSE REFILL UNITS

CATALOG NO
BA REFILLS

REV	
DATE	4/24/06
SHEET	1 of 1